



P Core Retrieval System

November 2012



Drillers Edge Inc.
1780 Main Street West
North Bay, ON, Canada P1B 8G5

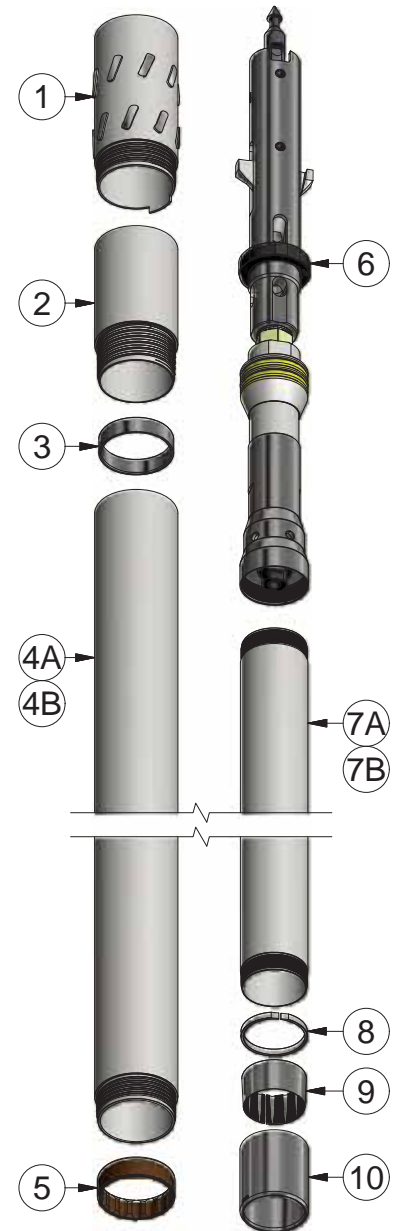
telephone: +1 705.472.7700
facsimile: +1 705 478 9078
inbox@drillersedge.com



Core Barrel Assembly, P

Core Barrel Assembly, P			
Item	Qty.	Part No.	Description
1-10	-	101141	Core Barrel Assembly 10ft (3.0m)
1-10	-	101142	Core Barrel Assembly 5ft (1.5m)
6-10	-	101139	Inner Tube Assembly 10ft (3.0m)
6-10	-	101140	Inner Tube Assembly 5ft (1.5m)
1	1	101541	Locking Coupling, Conventional With Tang
2	1	100962	Adaptor Coupling
3	1	100442	Landing Ring
4A	-	100549	Outer Tube 10ft (3.0m)
4B	-	100592	Outer Tube 5ft (1.5m)
5	1	100446	Inner Tube Stabilizer
6	1	101000	Head Assembly
7A	-	100548	Inner Tube 10ft (3.0m)
7B	-	100591	Inner Tube 5ft (1.5m)
8	1	100437	Stop Ring
9	1	100420	Core Lifter, Fluted
10	1	100432	Core Lifter Case

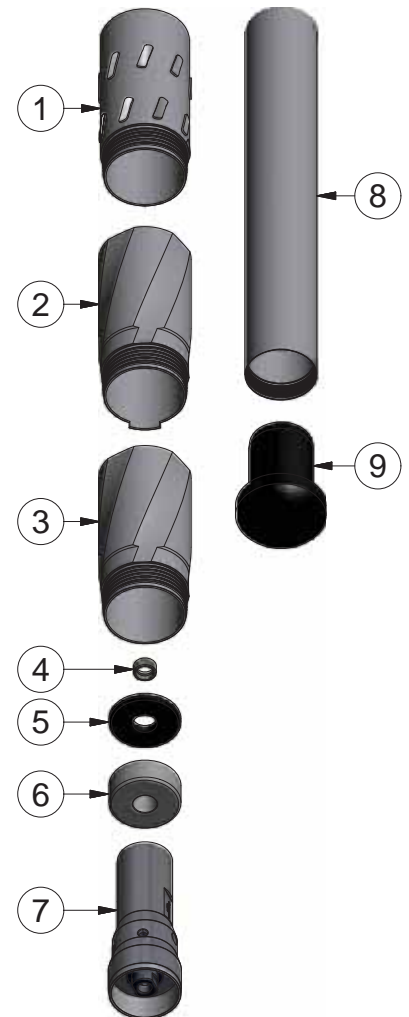
Note: Please refer to the P Core Barrel Options and Kits page for alternatives to the standard P Core Barrel components.





Core Barrel Options and Kits, P

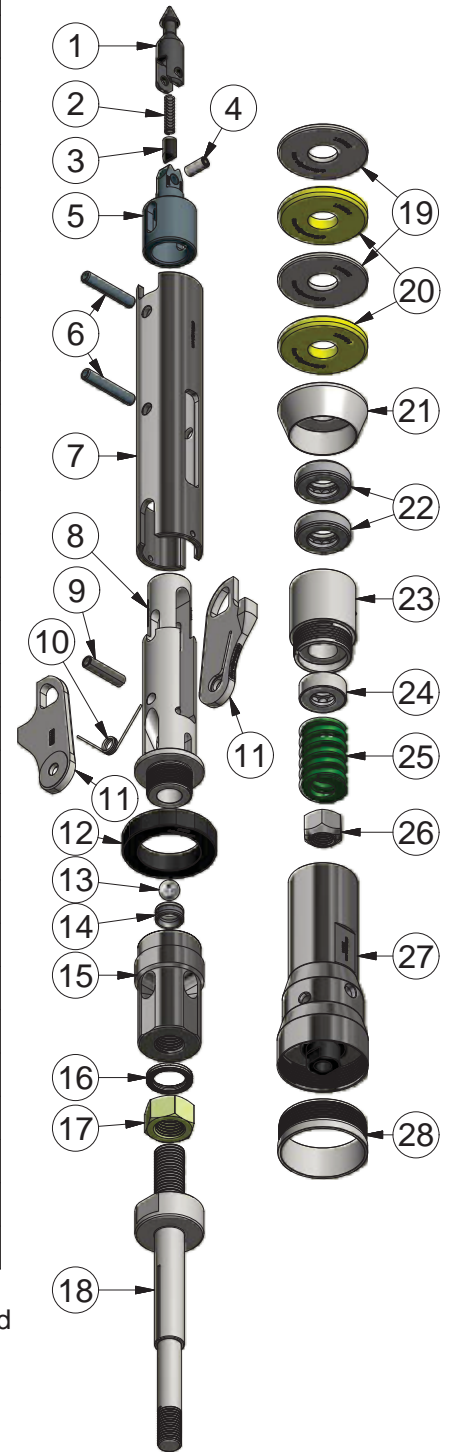
Core Barrel Options and Kits, P		
Item	Part No.	Description
1	101543	Locking Coupling, Conventional, No Tang
2	100961	Locking Coupling, Full-Hole, Tang
3	101625	Locking Coupling, Full-Hole, No Tang
4	100551	Landing Indicator Bushing, No OD Groove
5	100585	Shut-Off Valve, Soft
6	101820	Solid Spindle Spacer
7	101824	Inner Tube Cap Assembly, With Thread Protector
8	101629	Inner Tube Coupling
9	100647	Graphite Core Barrel Plug
10	101107	Gauge Assembly, Bit & Shell (not shown)





Head Assembly, P

101000			Head Assembly, P
Item	Qty	Part No.	Description
1	1	100462	Spearhead Point
2	1	100447	Spearhead Spring
3	1	100463	Detent Plunger
4	1	100448	Spearhead Pin
5	1	100493	Spearhead Base
6	2	100483	Latch Retracting Pin
7	1	101394	Latch Retracting Case
8	1	101395	Latch Body, Upper
9	1	100484	Latch Pivot Pin
10	1	100450	Latch Spring
11	2	100952	Latch*
12	1	100953	Landing Shoulder*
13	2	100452	Stainless Steel Ball
14	1	100468	Landing Indicator Bushing, OD Groove
15	1	100498	Latch Body, Lower
16	1	100485	Nord-Lock Washer
17	1	100486	Hex Nut
18	1	100499	Spindle
19	2	100955	Shut-Off Washer*
20	2	100954	Shut-Off Valve, Hard*
21	1	100956	Tapered Shut-Off Washer*
22	2	100489	Spindle Bearing, Upper
23	1	100989	Spindle Bushing*
24	1	100457	Spindle Bearing, Lower
25	1	100491	Compression Spring
26	1	100492	Self Locking Hex Nut
27	1	101406	Inner Tube Cap Assembly, No Thd. Protector*
28	1	101039	Thread Protector, Inner Tube Cap*



Notes: Items with * are exclusive to the P Wireline System. All other items are common between H & P systems. Please refer to the P Core Barrel Options and Kits page for alternatives to the standard P Head Assembly components.



Inner Tube Cap Assembly, P

101406		Inner Tube Cap Assembly, P	
Item	Qty	Part No.	Description
1	1	101044	Inner Tube Cap Body
2	1	100461	Grease Fitting
3	1	100452	Stainless Steel Ball
4	1	100474	Check Valve Body





Inner Tube Cap Assembly, P With Thread Protector

101824 Inner Tube Cap Assembly, P With Thread Protector			
Item	Qty	Part No.	Description
1	1	101044	Inner Tube Cap Body
2	1	100461	Grease Fitting
3	1	100452	Stainless Steel Ball
4	1	100474	Check Valve Body
5	1	101039	Thread Protector, Inner Tube Cap

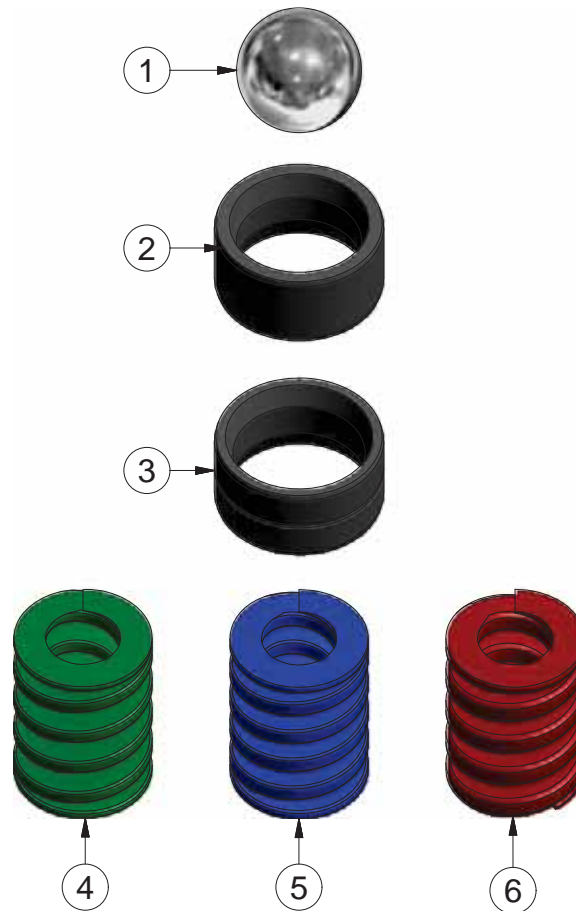




Fluid Retention Kit, NHP

100607		NHP Fluid Retention Kit	
Item	Qty.	Part No.	Description
1	1	100452	Stainless Steel Ball
2	1	100612	Fluid Retention Bushing, Standard
3	1	101138	Fluid Retention Bushing, Heavy Mud
4	1	100608	Compression Spring, Light (Green)
5	1	100609	Compression Spring, Medium (Blue)
6	1	100610	Compression Spring, Heavy (Red)

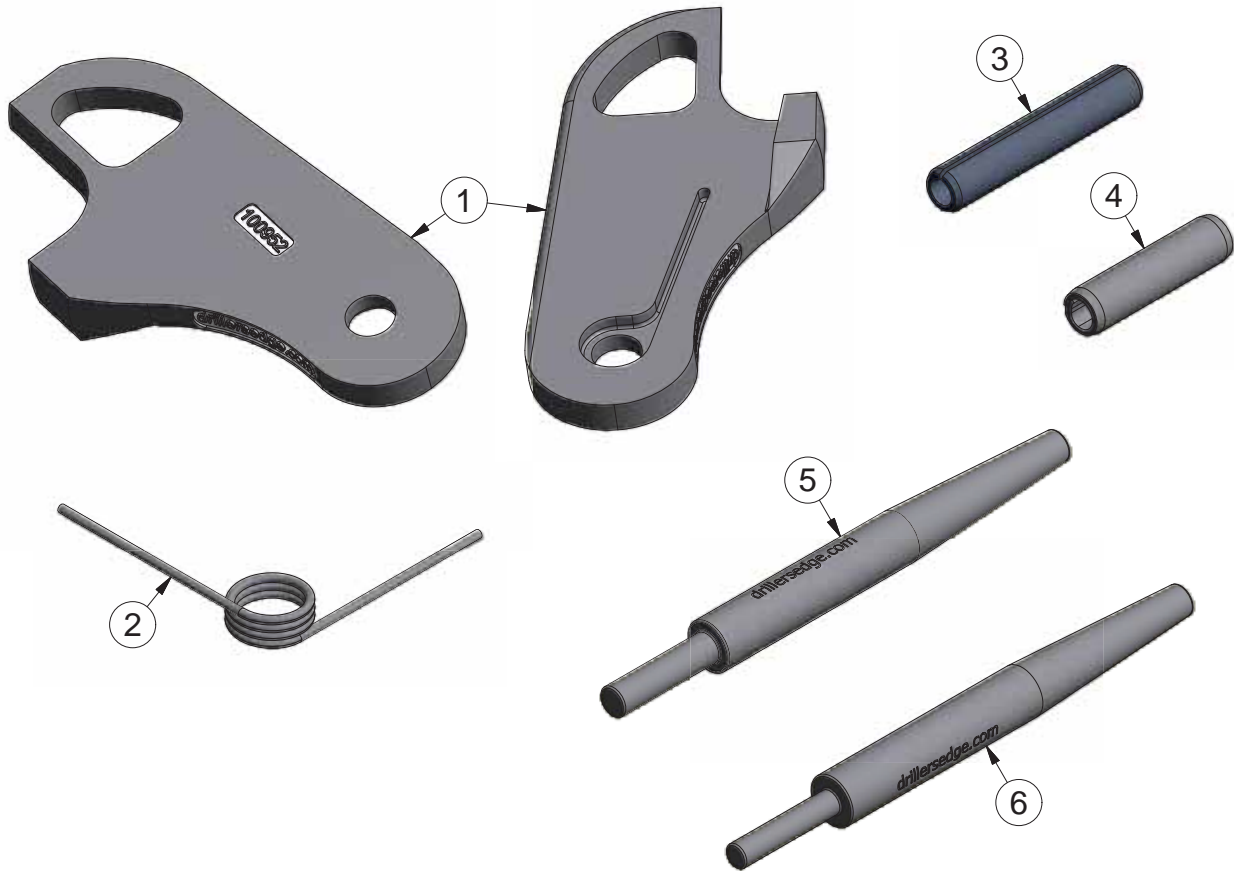
Note: Heavy mud fluid retention bushing (101138) has a small groove machined into the OD of the part. A Parts Pouch is available separately (101152).





Conversion Kit, Link-Latch P to Edge Latch P

101426		Conversion Kit, Link-Latch P to Edge Latch P	
Item	Qty.	Part No.	Description
1	2	100952	Edge Latch
2	1	100450	Latch Spring
3	1	100483	Latch Retracting Pin
4	1	100484	Latch Pivot Pin
5	1	100666	Drift Pin Tool - Latch Retracting Pin
6	1	100877	Drift Pin Tool - Latch Pivot Pin
7	1	101427	Conversion Instructions (Not Shown)
8	1	101152	Parts Pouch (Not Shown)

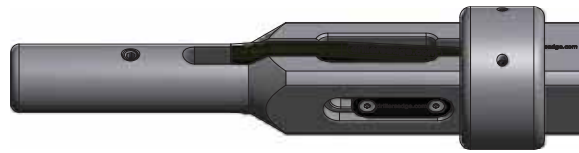




Overshot Assembly, P

101432		Overshot Assembly, P	
Item	Qty.	Part No.	Description
1	1	100518	Cable Swivel Eye Bolt
2	1	100519	Cable Swivel Collar
3	1	100520	Thrust Bearing
4	1	100521	Castle Nut
5	1	100522	Cotter Pin
6	1	100461	Grease Fitting
7	1	100523	Cable Swivel Body
8	1	100524	Jar Staff
9	1	100525	Jar Tube
10	1	100534	Locking Sleeve, Slotted
11	1	100526	Hex Nut
12	1	100527	Nord-Lock Washer
13	1	100606	Overshot Head Assembly
14	1	100692	Loading Fork Tool
15	1	101441	Loading Funnel





Overshot Head Assembly, P

100606		Overshot Head Assembly, P	
Item	Qty.	Part No.	Description
1	1	100536	Overshot Head Body
2	1	100533	Self Locking Set Screw
3	1	100529	Compression Spring
4	2	100530	Lifting Dog
5	1	100531	Pivot Pin
6	1	100532	Sway Pin
7	2	100535	Pin Link
8	4	100539	Self Locking Cap Screw
9	2	101154	Spring Pin
10	1	101153	Overshot Sleeve

